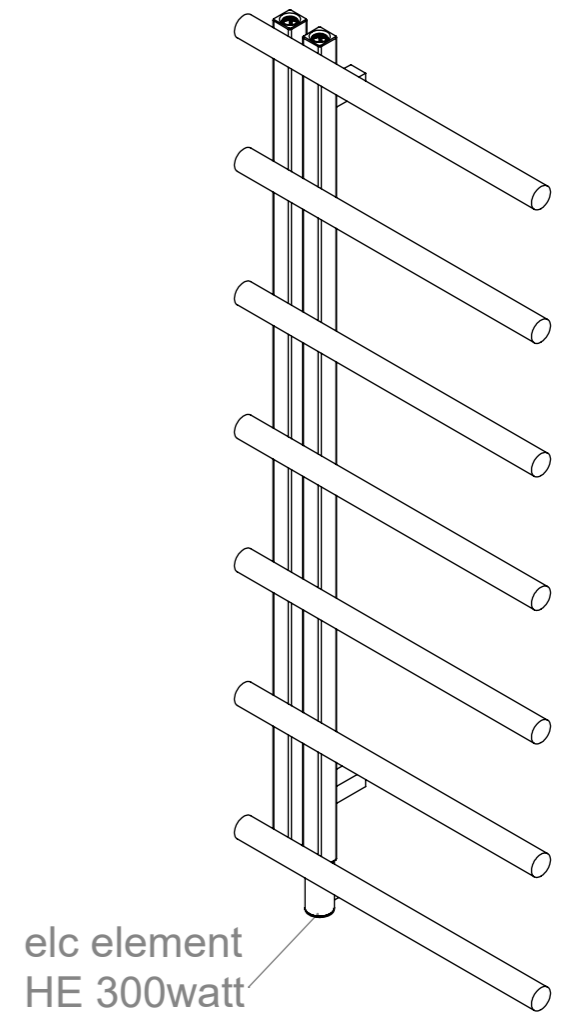
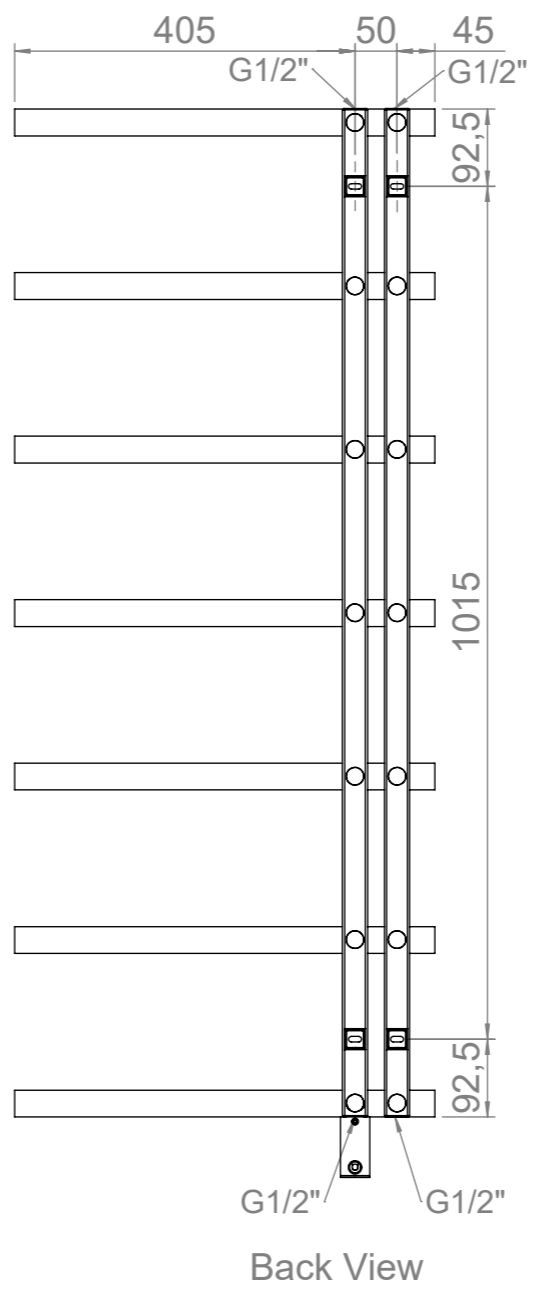
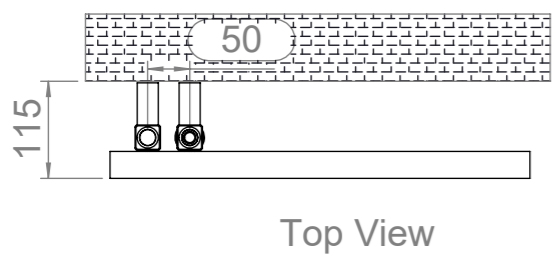
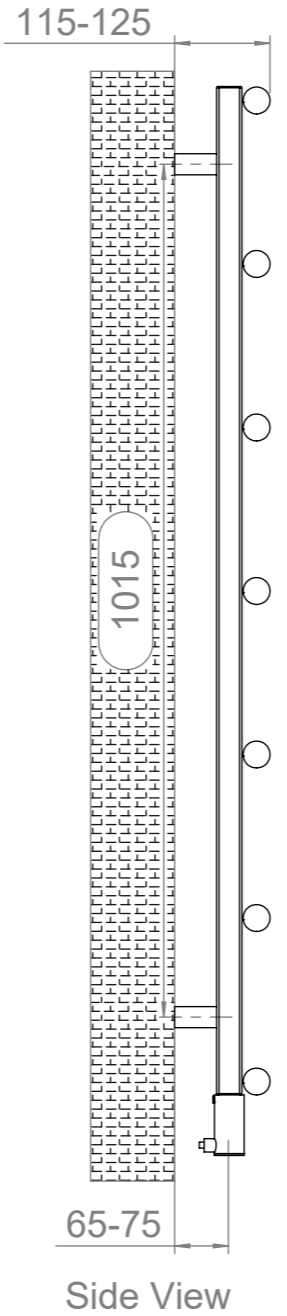
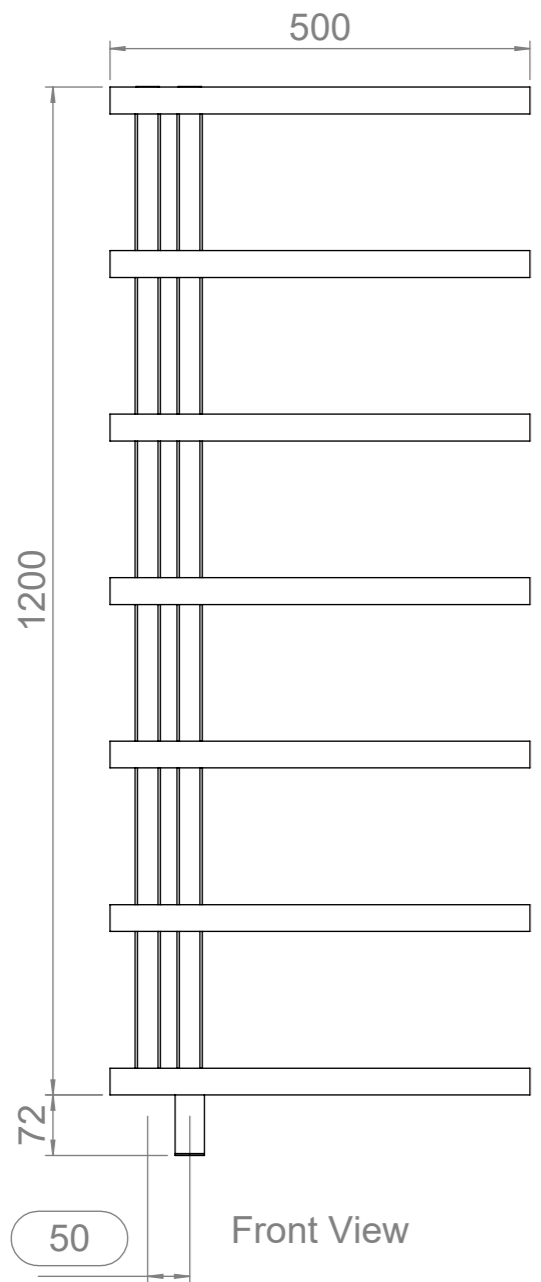
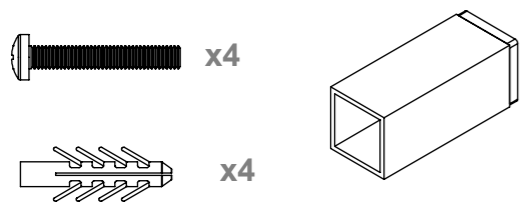


# Vera 512x7 CCK-HE300

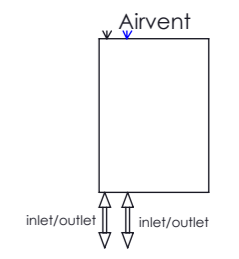
REVISIONS				
ZONE	REV.	DESCRIPTION	DATE	APPROVED
	00	AÇIKLAMA	01.01.2011	ONAYLAYAN



### Installation Accesories:



### Fitting Position:



Vertical Mount  
All Dimension are in mm  
Max.Working Pressure = 10 Bar  
Max.Working Temperature=95° C  
Inlet / Outlet : 1/2" BSP  
Fuel: H